



## DALI 1Ch LED Dimmer

**Datasheet**  
**Control Gear**

1-Channel LED Dimmer (CV)

Art. Nr. 86459572-6 (6A)

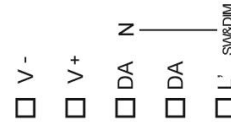
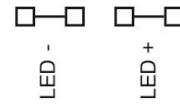
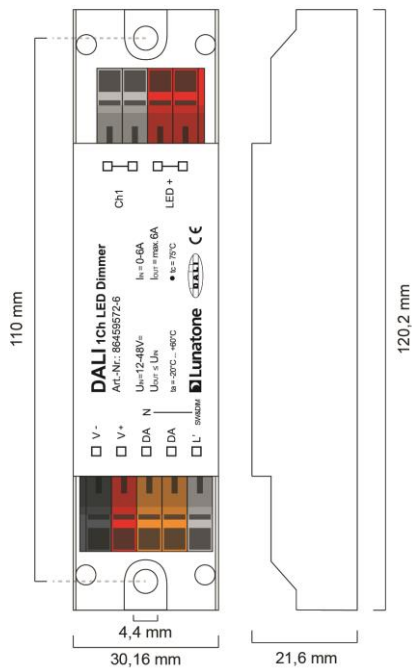
# DALI 1Ch LED Dimmer Control Gear

## Overview

- 1 Channel LED Dimmer
- Suitable for constant voltage LED-modules
- dimming control via DALI or standard switch (SwitchDim-function integrated)
- The output is dimmable from 1% to 100% (upon request 0.1%)
- Supply voltage from 12V to 48V DC
- Configuration via DALI-Cockpit software and DALI USB interface
- The maximum input current must not exceed 6A

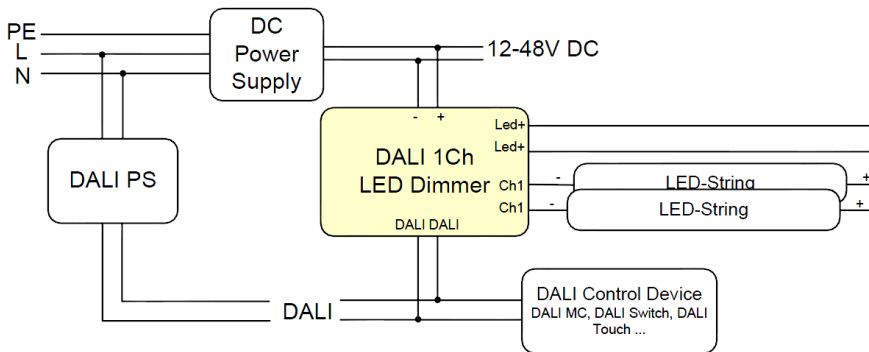
## Specification, Characteristics

<b>type</b>	<b>DALI 1Ch LED Dimmer</b>
article number	86459572-6
<b>electrical data:</b>	
power supply	12V- 48VDC
maximum input current	6A
maximum output current	6A
control input	DALI / SwitchDim
number of DALI addresses	1
typ. current consumption DALI	2mA
default state after power return	configurable via DALI
<b>mechanical data:</b>	
ambient temperature	-20°C...+60°C
protection class	IP20
max. connecting wire cross section	2.5 mm <sup>2</sup>
geometry (L x W x H)	120mmx30mmx21mm



connection plan

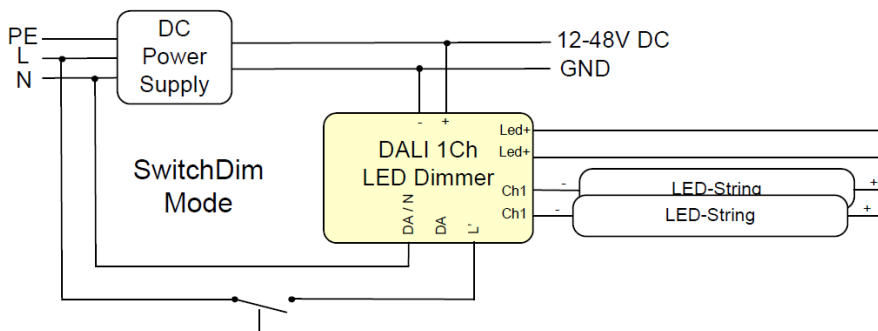
### geometry



typical application DALI-Mode

### DALI-Mode:

The device switches to DALI-mode automatically after a DALI message has been received.



Prinzipalschaltbild SwitchDim 10A/16A

### Switch-Dim:

The device is in the Switch-Dim mode after power up.

At types from before June 2015, at which the inputs L' and N are not available, the maximal voltage for SwitchDim (via DALI inputs) is 48VDC!

SwitchDim:  
 Button pressed short (<500ms): On / Off  
 Button pressed long (>500ms): Dim Up / Down

## RECOMMENDATION:

Care should be taken on keeping cable lengths between DC power supply and dimmer as well as between dimmer and luminaires (Led-Strings) as short as possible. This kind of installation will minimize the influence of voltage drops.

## Purchase Information

ArtNr. 86459572-6: 1-Channel LED Dimmer,  
CV, max. input current 6A, 12V-48V DC,  
remote ceiling & built in

## Additional Information

Datasheets and manuals

<https://jumitech/produkter>

DALI-Cockpit – free configuration tool from  
Lunatone for DALI systems

<http://lunatone.at/en/downloads/Lunatone-DALI-Cockpit.zip>

## Contact

Technical Support: [support@jumitech.dk](mailto:support@jumitech.dk)

Requests: [salg@jumitech.dk](mailto:salg@jumitech.dk)

[www.jumitech.dk](http://www.jumitech.dk)

# JUMITECH



## Disclaimer

Subject to change. Information provided without guarantee.  
The datasheet refers to the current delivery.

The compatibility with other devices must be tested in advance  
to the installation.