

JUMITECH

DALI 2xCW-WW LED Dimmer 12V -48V



Datasheet Control Gear

2xDALI LED Dimmer (DT8) for
adjusting light level and colour
temperature

Art. Nr. 89453858-HS (16A, CV)

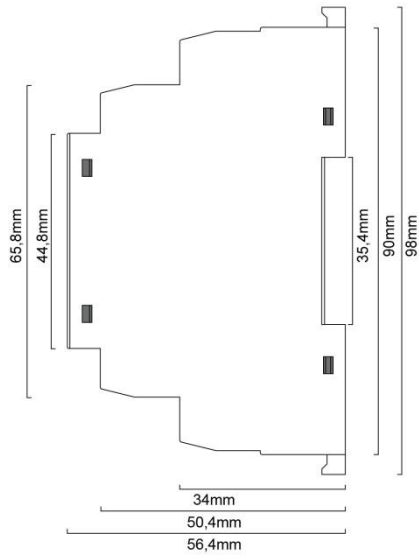
DALI 2xCW-WW LED-Dimmer Control Gear

Overview

- Device with 2 DALI Tunable White LED-Dimmer
- Suitable for constant voltage LED-modules with 12V to 48V
- 2 DALI addresses (Device Type 8, Colour Type Tc)
- Each DT8-Tc address provides independent control of light level and colour temperature
- dimming range 1%-100%
- PWM-frequency 488Hz
- suitable for dinrail mounting
- supply voltage from 12V to 48V DC
- input current from 0.1A to 16A
- The input current can be distributed on the outputs at will
- low standby losses
- high efficiency >98%
- configuration via DALI-Cockpit software tool and DALI USB interface

Specification, Characteristics

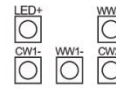
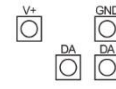
type	DALI 2xCW-WW Led Dimmer
article number	89453858-HS
electrical data:	
supply voltage V_{in}	12VDC-48VDC
max. input current I_{inmax}	16A
control input	DALI
current consumption DALI	2mA
number of DALI addresses	2 (DT8-Tc)
standby losses (12V)	120 mW
technical data:	
power on behaviour	configurable via DALI: 0%-100%, last value
storage and transportation temperature	-20°C ... +75°C
operational ambient temperature	-20°C ... +60°C
expected lifetime (at $T_c \leq 75^\circ\text{C}$)	>10 years
protection class	IP20
max. connecting wire crosssection	2.5 mm ²
dimensions (LxWxH)	98mm x 17.5mm x 56mm
mounting/housing	dinrail



dimensions

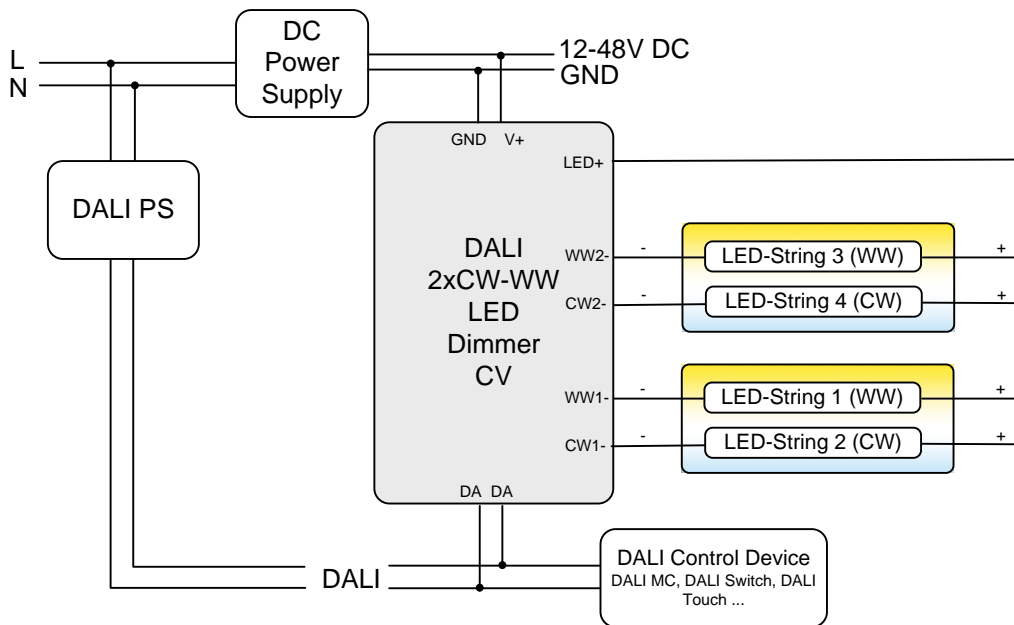


17,5mm



connection plan

Application DALI:

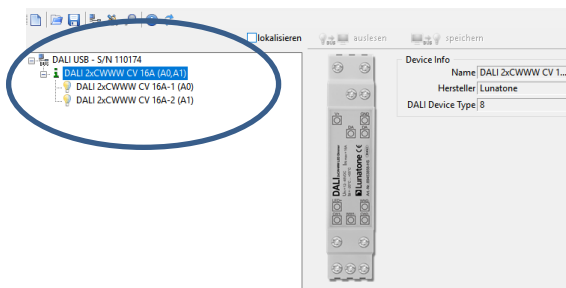


Settings

The device provides 2 Tunable White LED-dimmers. Each of them is controlled by a separate DALI-address. DT8-commands (colour-type Tc) are supported, which allows independent control of light level and colour temperature.

The dimmers can be selected in the component tree. The parameter of each dimmer can be set afterwards.

Component Tree:



Factory Default Settings

Summary of the factory default settings (delivery state for each of the CW-WW dimmers):

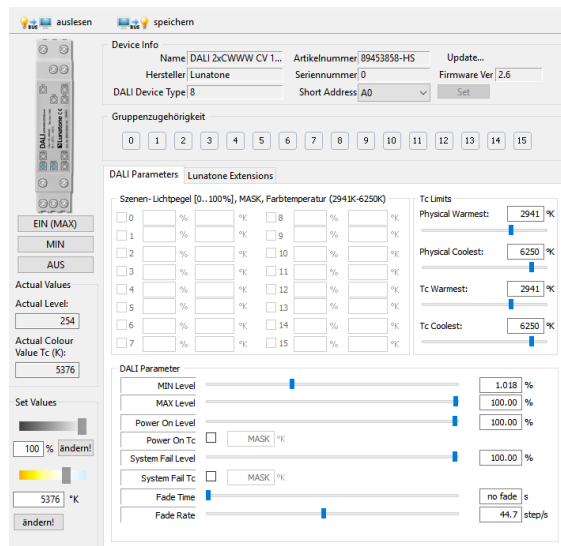
Min Level	1%
PowerOn Level	MASK (last value)
Fade Time	0 (0s)
Fade Rate	7 (89.4 steps/s)
Tc-Range	2940K-6250K
Tc-Stepsize	1 increment

Purchase Information

Art.Nr. 89453858-HS:

DALI 2xCW-WW LED Dimmer, constant voltage (CV), max. input current 16A, 12V-48V DC, 2 DALI addresses (DT8-Tc), dinrail

Settings of each DT8-Tc dimmer (displayed parameters are the factory default values):



Beside the DT8 Tc standard settings, the Tc-stepsize can be increased in the “Lunatone Extensions” tab. This is a simple way to speed up colour temperature changes when using the commands TC STEP COOLER/WARMER.

Additional Information

Datasheets and manuals

<https://jumitech/produkter>

DALI-Cockpit – free configuration tool from
Lunatone for DALI systems

http://lunatone.at/en/downloads/Lunatone_DALI-Cockpit.zip

Contact

Technical Support: support@jumitech.dk

Requests: salg@jumitech.dk

www.jumitech.dk

JUMITECH



Disclaimer

Subject to change. Information provided without guarantee.
The datasheet refers to the current delivery.

The compatibility with other devices must be tested in advance
to the installation.