

DALI LED Power Supply

Datasheet Control Gear



LED Power Supply with DALI control
input (DT6)

Constant current:

- Art.Nr. 89453849-250 (CC, 250mA)
- Art.Nr. 89453849-350 (CC, 350mA)
- Art.Nr. 89453849-500 (CC, 500mA)
- Art.Nr. 89453849-700 (CC, 700mA)
- Art.Nr. 89453849-1050 (CC, 1050mA)

DALI LED Power Supply Control Gear

Overview

- 1 channel LED Power Supply
- types for constant current (250mA, 350mA, 500mA, 700mA, 1050mA) available
- control via DALI-address (DT6)
- SwitchDim2: level control via switching inputs without DALI
- dimming range from 0.1%-100%
- suitable for integration in luminaires and remote ceiling
- supply voltage 230V AC
- CC-type: output with 250mA, 350mA, 500mA, 700mA or 1050mA
- low standby power consumption
- high efficiency
- configuration with DALI-Cockpit softwaretool and DALI USB interface
- overtemperature shutdown, integrated short circuit protection
- user-friendly factory default settings

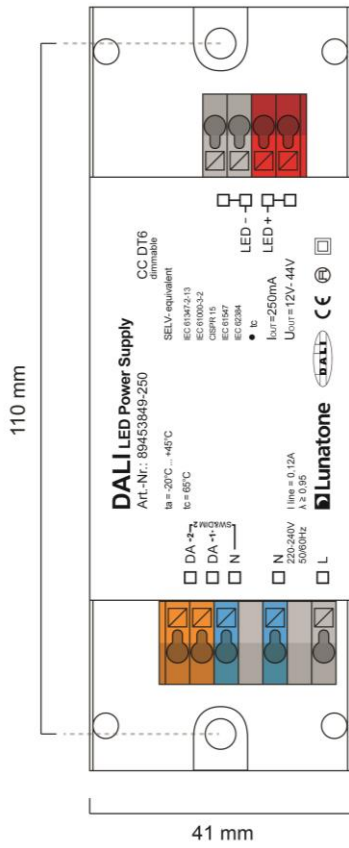
Specification, Characteristics

Constant Current (CC):

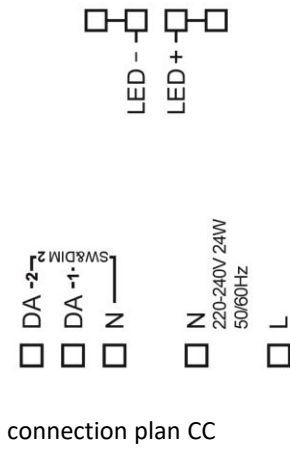
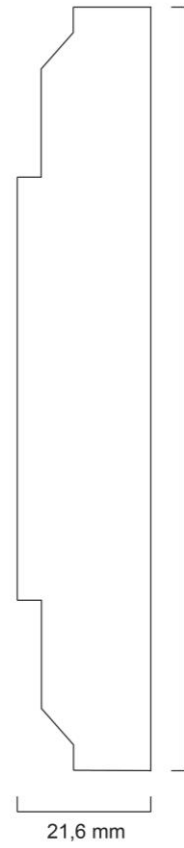
type	DALI LED Power Supply CC DT6				
article number	89453849-250	89453849-350	89453849-500	89453849-700	89453849-1050
electrical data:					
supply	220-240V AC / 50-60Hz, $I_{in}=0.12A$, power factor > 0.95; inrush current < 0.2A				
control input	DALI or SwitchDim2				
current consumption DALI	2mA				
number of DALI addresses	1				
output current	250mA	350mA	500mA	700mA	1050mA
range of output voltage	12V-44V	12V-44V	12V-36V	12V-32V	12V-21V
technical data:					
power on behaviour	configurable via DALI: 0%-100% or last value				
ambient temperature	-20°C to +45°C				
expected lifetime (at $t_c \leq 65^\circ C$)	>50000h				
protection class	IP20				
max. connecting wire cross section	1.5 mm ²				
dimensions (LxWxH)	120mmx41mmx22mm				

mounting/housing

remote ceiling / integration in luminaires



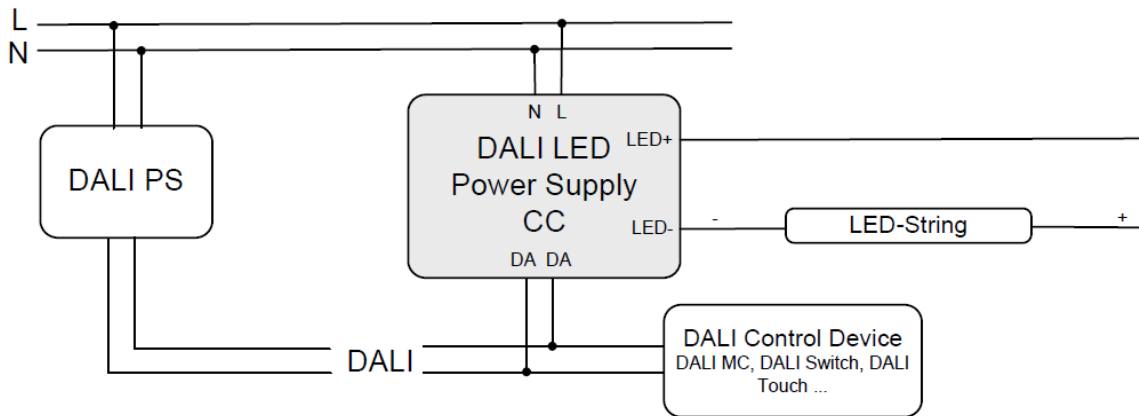
geometry CC



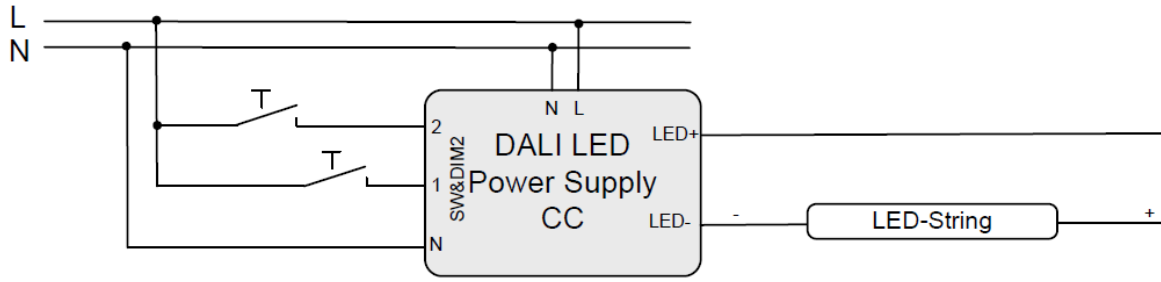
connection plan CC



IEC 61347-2-13
IEC 61000-3-2
CISPR 15
IEC 61547
IEC 62384



DALI application



SwitchDim application

DALI / SwitchDim2

The device can be controlled by different methods:

DALI

In this operating mode the light level of the device is controlled via its DALI address (Device Type 6).

SwitchDim2

Alternatively the device can be controlled using 2 switch-inputs for mains voltage (SwitchDim2):

SwD1: light level

short press: On/Off

long press: dimming

SwD2: scene selector (short press)

Please note that prior versions provide an additional switch input marked as L'. This input has to be used in addition to the DALI-input and not instead of it.

Factory Default Settings

Before the initial addressing is performed, the device can already be controlled by group address G0. This predefined grouping will be deleted during the first addressing procedure. Afterwards groups can be assigned as usual (e.g. with the help of the DALI Cockpit).

Summary of the factory default settings (delivery state):

SwitchDim2	SwD1: light level SwD2: scene selector
Min Level	0.1%
PowerOn Level	MASK (last value)
Fade Time	2 (1s)
Fade Rate	CC: 5 (89.4 steps/s)
PWM-frequency	CC: auto
Group control before initial addressing	G0

Purchase Information

Art. Nr. 89453849-250: DALI 15W LED Power Supply, constant current (CC), 250mA, Uout=12V-44V, SwitchDim2, remote ceiling & integration in luminaires

Art. Nr. 89453849-350: DALI 15W LED Power Supply, constant current (CC), 350mA, Uout=12V-44V, SwitchDim2, remote ceiling & integration in luminaires

Art. Nr. 89453849-500: DALI 20W LED Power Supply, constant current (CC), 500mA, Uout=12V-36V, SwitchDim2, remote ceiling & integration in luminaires

Art. Nr. 89453849-700: DALI 25W LED Power Supply, constant current (CC), 700mA, Uout=12V-32V, SwitchDim2, remote ceiling & integration in luminaires

Art. Nr. 89453849-1050: DALI 15W LED Power Supply, constant current (CC), 1050mA, Uout=12V-21V, SwitchDim2, remote ceiling & integration in luminaires

Additional Information

Datasheets and manuals

<https://jumitech/produkter>

DALI-Cockpit – free configuration tool from Lunatone for DALI systems

<http://lunatone.at/en/downloads/Lunatone-DALI-Cockpit.zip>

Contact

Technical Support: support@jumitech.dk

Requests: salg@jumitech.dk

www.jumitech.dk

JUMITECH



Disclaimer

Subject to change. Information provided without guarantee.
The datasheet refers to the current delivery.

The compatibility with other devices must be tested in advance to the installation.