

JUMITECH

DALI LED Power Supply

Datasheet Control Gear



LED Power Supply with DALI control
input (DT6)

Constant voltage:
Art.Nr. 89453849-24V (CV, 24V, 25W)
(replaces: 89453849, 89453849-SD)

DALI LED Power Supply Control Gear

Overview

- 1 channel LED Power Supply
- control via DALI-address (DT6)
- SwitchDim2: level control via switching inputs without DALI
- dimming range from 0.1%-100%
- pwm-frequency adjustable (122Hz/244Hz/488Hz/976Hz)
- suitable for integration in luminaires and remote ceiling
- supply voltage 230V AC
- CV-type: output 24V PWM, 1A max.
- low standby power consumption
- high efficiency
- configuration with DALI-Cockpit softwaretool and DALI USB interface
- overtemperature shutdown, integrated short circuit protection
- user-friendly factory default settings

Specification, Characteristics

Constant Voltage (CV):

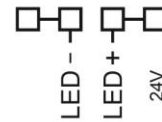
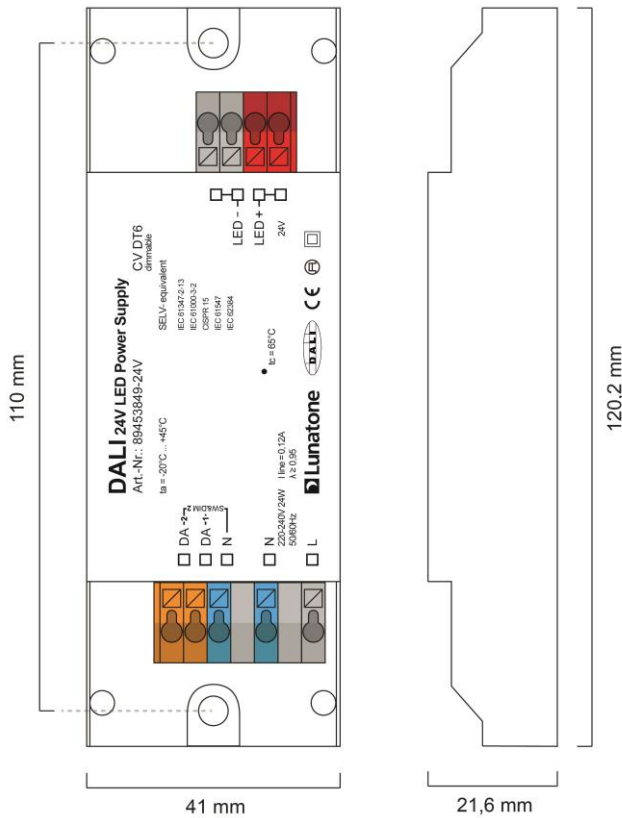
| type | DALI 24V LED Power Supply CV DT6 |
|--------------------------|---|
| article number | 89453849-24V |
| electrical data: | |
| supply | 220-240V AC / 50-60Hz, I _{in} =0.12A, power factor > 0.95, inrush current < 0.2A |
| control input | DALI or SwitchDim2 |
| current consumption DALI | 2mA |
| number of DALI addresses | 1 |
| output | 24V ± 0.5V PWM |
| max. output current | 1A |

| type | DALI 24V LED Power Supply |
|------------------------|---------------------------|
| article number | 89453849-24V |
| technical data: | |

| | |
|---|--|
| power on behaviour | configurable via DALI: 0%-100% or last value |
| ambient temperature | -20°C to +45°C |
| expected lifetime (at $t_c \leq 65^\circ\text{C}$) | >50000h |
| protection class | IP20 |
| max. connecting wire cross section | 1.5 mm ² |
| dimensions (LxWxH) | 120mmx41mmx22mm |
| mounting/housing | remote ceiling / integration in luminaires |



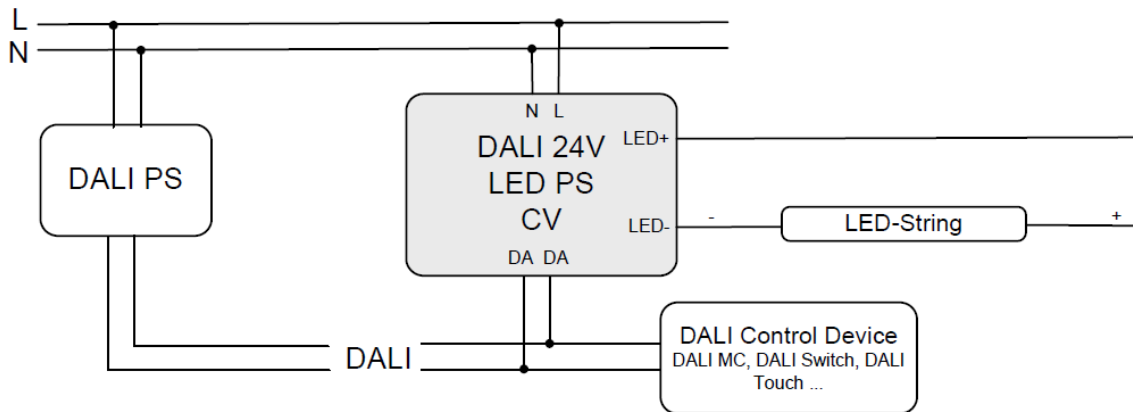
IEC 61347-2-13
IEC 61000-3-2
CISPR 15
IEC 61547
IEC 62384



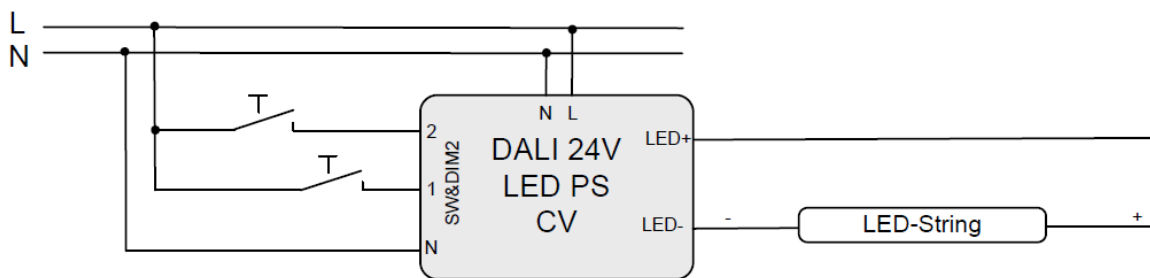
connection plan CV

geometry CV

RECOMMENDATION: Care should be taken on keeping cable lengths between dimmer and luminaires (Led-Strings) as short as possible. This kind of installation will minimize the influence of voltage drops.



typical application with DALI control



typical application with SwitchDim

DALI / SwitchDim2

The device can be controlled by different methods:

DALI

In this operating mode the light level of the device is controlled via its DALI address (Device Type 6).

SwitchDim2

Alternatively the device can be controlled using 2 switch-inputs for mains voltage (SwitchDim2):

SwD1: light level

short press: On/Off

long press: dimming

SwD2: scene selector (short press)

Please note that prior versions provide an additional switch input marked as L'. This input has to be used in addition to the DALI-input and not instead of it.

Factory Default Settings

Before the initial addressing is performed, the device can already be controlled by group address G0. This predefined grouping will be deleted during the first addressing procedure. Afterwards groups can be assigned as usual (e.g. with the help of the DALI Cockpit).

Summary of the factory default settings
(delivery state):

| | |
|---|---|
| SwitchDim2 | SwD1: light level SwD2: scene selector |
| Min Level | 0.1% |
| PowerOn Level | MASK (last value) |
| Fade Time | 2 (1s) |
| Fade Rate | CV: 5 (63.3 steps/s) |
| PWM- frequency | CV: 488Hz |
| Group control before initial addressing | G0 |

Purchase Information

Art. Nr. 89453849-24V: DALI 24V LED Power Supply, constant voltage (CV), 24V, 25W, I_{max}=1A, SwitchDim2, remote ceiling & integration in luminaires

phase-out type:

Art. Nr. 89453849-SD: DALI 24V LED Power Supply, constant voltage (CV), 24V, 25W, I_{max}=1A, remote ceiling, extra switch-input

phase-out type:

Art. Nr. 89453849: DALI 24V LED Power Supply, constant voltage (CV), 24V, 25W, I_{max}=1A, remote ceiling

Additional Information

Datasheets and manuals

<https://jumitech/produkter>

DALI-Cockpit – free configuration tool from Lunatone for DALI systems

<http://lunatone.at/en/downloads/Lunatone-DALI-Cockpit.zip>

Contact

Technical Support: support@jumitech.dk

Requests: salg@jumitech.dk

www.jumitech.dk

JUMITECH



Disclaimer

Subject to change. Information provided without guarantee.
The datasheet refers to the current delivery.

The compatibility with other devices must be tested in advance to the installation.