

JUMITECH

DALI Switch Cross **WAGO**



Datasheet **Multifunctional Switch Module**

DALI control unit with four
programmable pushbuttons for
WAGO systems

Art. Nr. 86459793-WA-W (white)

Art. Nr. 86459793-WA-B (black)

DALI Switch Cross WAGO Multifunc. Switch Module

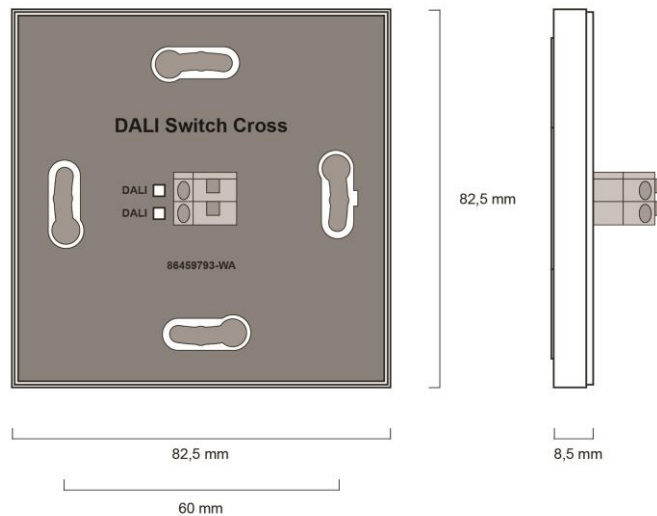
Overview

- 4 configurable push buttons
- compatible with WAGO systems
- the DALI Switch Cross transmits event messages to the WAGO-System (central control)
- multi-master capability - several DALI Switch Cross can be used on the same DALI-line
- mounting on cavity walls or conduit boxes
- supplied via DALI signal line

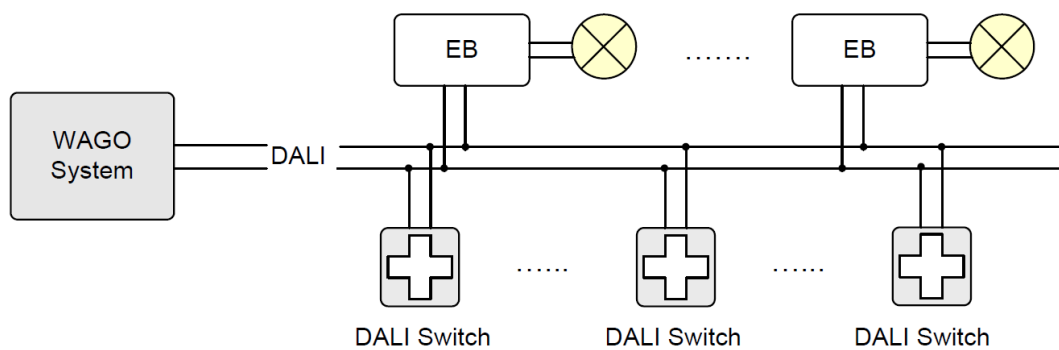
Specification, Characteristics

type	DALI Switch Cross Wago (white)	DALI Switch Cross Wago (black)
article number	86459793-WA-W	86459793-WA-B
electric data:		
supply	via DALI signal line	
typ. current consumption	1.5mA	
output	DALI	
control input	4 programmable push buttons	
Behaviour after power failure	Configurable via WAGO-system or DALI Cockpit	
mechanic data:		
dimensions (W/H/L)	82mmx82mmx8,5mm	
housing type	wall mounting	
connecting wire cross section	up to 2.5 mm ²	
permitted ambient temperature	-10°C...+50°C	
protection class	IP20	
colour	white	black

Housing type: wall mounting

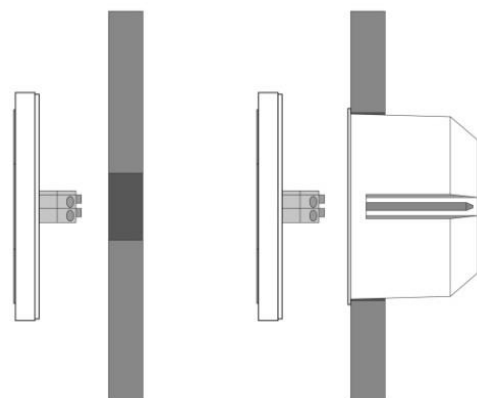


typical installation:



Installation

- The DALI Switch is directly powered by the DALI line (typical current consumption 1.5mA.)
- The connection to the DALI-line is polarity free
- The input is overvoltage protected (up to 270Vac)
- Mounting on cavity walls or conduit boxes
- Easy addressing and configuration with WAGO system (central control)
- As alternative an individual configuration can be setup with the help of the DALI-Cockpit software tool



Mounting with/without flush-mounted box

Additional Information

Datasheets and manuals

<https://jumitech/produkter>

DALI-Cockpit – free configuration tool from Lunatone for DALI systems

http://lunatone.at/en/downloads/Lunatone_DALI-Cockpit.zip

Contact

Technical Support: support@jumitech.dk

Requests: salg@jumitech.dk

www.jumitech.dk

JUMITECH



Disclaimer

Subject to change. Information provided without guarantee.
The datasheet refers to the current delivery.

The function in installations with other devices must be tested
for compatibility in advance.