

wDALI RM8

Datasheet

wDALI Relay



Wireless expansion of a DALI-system
for switched ballasts

Art.Nr. 86459542 (wDALI RM8)

wDALI RM8 Interface

Overview

- Wireless DALI-line expansions for switched ballast without DALI-input
- The ballasts can be switched on and off by DALI-commands
- 2 components: a transmitter unit connected to the DALI-line and a receiver module with relay
- The transmitter is supplied directly by the DALI-line, the receiver is supplied by mains
- The module can be addressed and assigned to groups and scenes
- Simple installation and configuration with the DALI-Cockpit software tool

Specification, Characteristics

type	wDALI RM8
article number	86459542

electrical data transmitter:	
supply	via DALI-line
typ. current consumption	3.8mA
input	DALI
power on behaviour	programmable, here the Power On is the return of the DALI-line supply voltage
frequency-range	2,4 Ghz

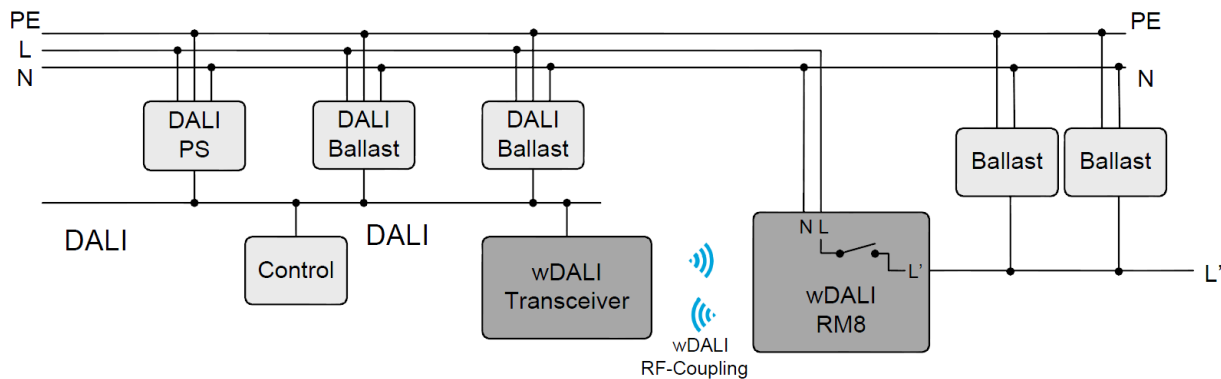
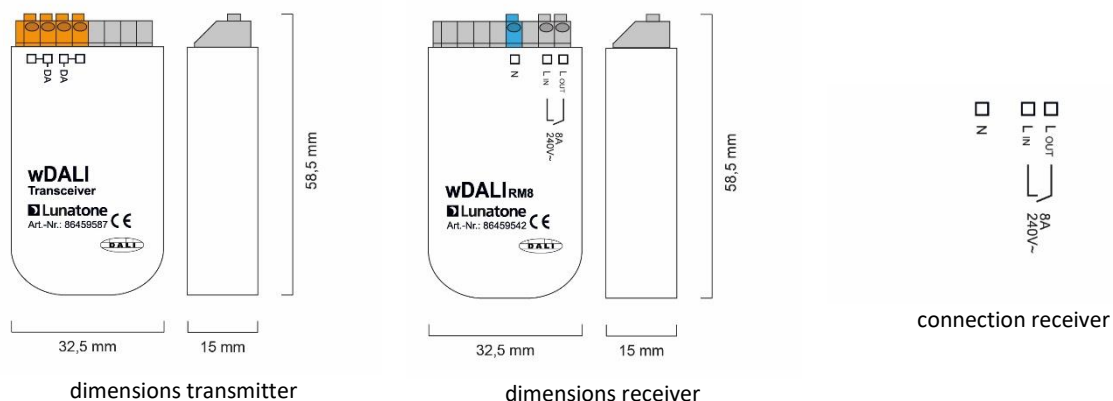
technical data transmitter:	
dimensions	59mmx33mmx15mm
housing	back box
connecting wire cross section	0.5 to 1.5 mm ²
storage and transportation temperature	-20°C...+75°C
operational ambient temperature	-20°C...+75°C
protection class	IP20

electrical data receiver:	
supply	210-250VAC / 50-60Hz
nominal load	1000VA

max. switching current	8A
max. inrush current	80A
relay data	1 n/o, max. 30000 switching cycles at nominal load (resistive) max. switching frequency 1Hz
frequency range	2,4 Ghz

technical data receiver:

dimensions	59mmx33mmx15mm
Housing	back box
connecting wire cross section	0.5 to 1.5 mm ²
storage and transportation temperature	-20°C...+75°C
operational ambient temperature	-20°C...+60°C
protection class	IP20



Installation

- the transmitter is supplied by the DALI-line (typical current consumption is 3.8mA)
- the connection to the DALI-line is polarity-free
- the DALI-input is protected against overvoltage (up to mains voltage)
- the receiver unit can switch load currents of up to 8A and is suitable for loads up to 1000VA
- at the terminals wires with cross-section from 0,5 to 1,5mm² can be connected
- the components of the wDALI RM8 are suitable for back box mounting
- receiver range depending on structural conditions (outdoors up to 300m)

Function

- Simple addressing and configuration with the DALI Cockpit software tool
- Switching on/off of to the DALI-line wirelessly connected ballasts

Purchase Information

Art. Nr. 86459542: wDALI RM8 (transmitter included), 1000VA/8A/80A, 1 n/o, back box

Additional Information

Datasheets and manuals

<https://jumitech/produkter>

DALI-Cockpit – free configuration tool from Lunatone for DALI systems

<http://lunatone.at/en/downloads/Lunatone-DALI-Cockpit.zip>

Contact

Technical Support: support@jumitech.dk

Requests: salg@jumitech.dk

www.jumitech.dk

JUMITECH



Disclaimer

Subject to change. Information provided without guarantee.
The datasheet refers to the current delivery.

The function in installations with other devices must be tested for compatibility in advance.