

# JUMITECH

---



## wDALI RM8 0-10V PWM

### Datasheet

wDALI interface to 0-10V with  
switch-on relay

wireless expansion of a DALI-system  
with 0-10V ballast

Art.Nr. 89453852 (RM8 0-10V PWM)

# wDALI RM8 0-10V PWM Interface

## Overview

- Wireless DALI-line expansion for ballasts with PWM control input
- The ballasts can be switched on and off by DALI-commands
- 2 components: a transmitter unit connected to the DALI-line and a receiver module with 0-10V PWM output and relay
- Integrated relay for switching ballast supply
- advantage of fail-safe digital signal data communication compared to types with analog output voltage, suitable for electronic ballast with PWM control input (e.g. Meanwell HLG, HLN, NPF or LPF series)
- transformation of DALI light level into PWM output signal from 0% to 100%
- DALI DT5: selection of linear or logarithmic dimming curve
- DALI DT5: output range selection (0-100% / 10-100% PWM)
- maximum output current of 1mA (current sink)
- the relay contact depends on the light level, at 0 the relay is opened, at any other value it is closed
- The transmitter unit is powered directly by the DALI-line, the receiver is powered by mains
- configuration via DALI-Cockpit software tool

## Specification, Characteristics

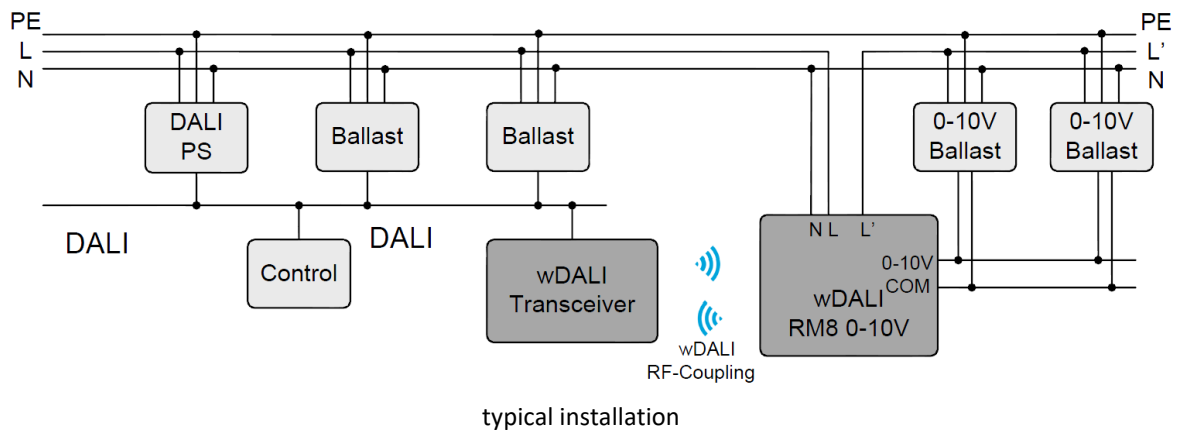
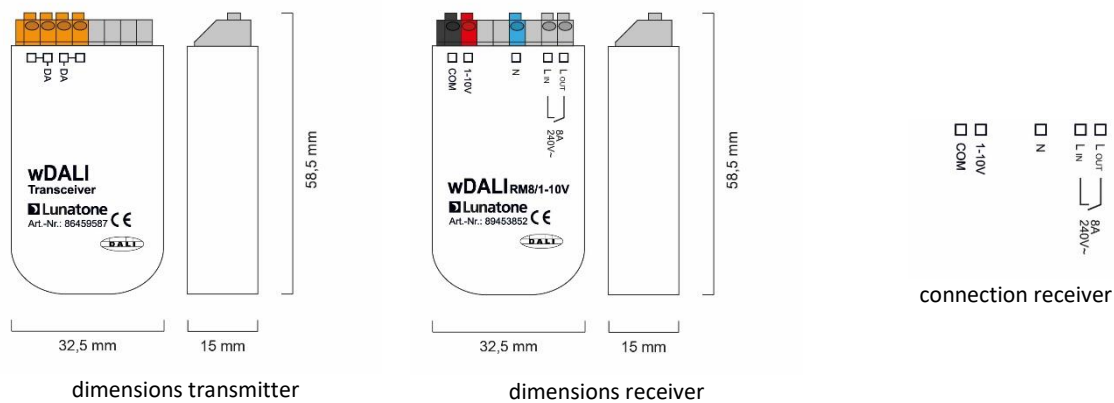
<b>type</b>	<b>wDALI RM8 0-10V PWM</b>
article number	89453852
<b>electrical data transmitter:</b>	
supply	via DALI-line
typ. current consumption	3.8mA
input	DALI
power on behaviour	programmable, here the Power On is the return of the DALI-line supply voltage
frequency-range	2.4 GHz
<b>technical data transmitter:</b>	
dimensions	59mmx33mmx15mm
housing	back box
connecting wire cross section	0.5-1.5 mm <sup>2</sup>
storing and transportation temperature	-20°C ... +75°C
operational ambient temperature	-20°C ... +75°C
protection class	IP20

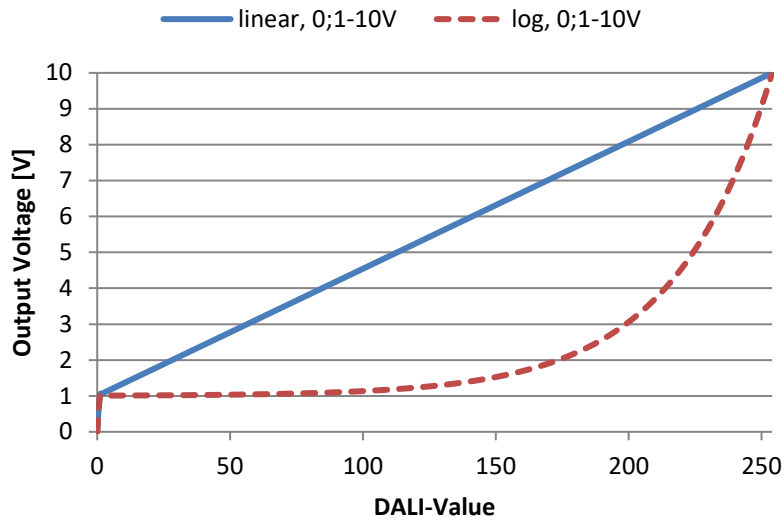
**electrical data receiver:**

supply	210-250VAC / 50-60Hz
output	0-100% PWM (16Bit, 488Hz), current sink 1mA
nominal load	1000VA
max. switching current	8A
max. inrush current	80A
relay data	1 n/o, max. 30000 switching cycles at nominal load (resistive) max. switching frequency 1Hz
frequency range	2,4 Ghz

**technical data receiver:**

dimensions	59mm / 33 mm / 15mm
Housing	Dose
connecting wire cross section	0.5-1.5 mm <sup>2</sup>
storing and transportation temperature	-20°C ... +75°C
operational ambient temperature	-20°C ... +60°C
protection class	IP20



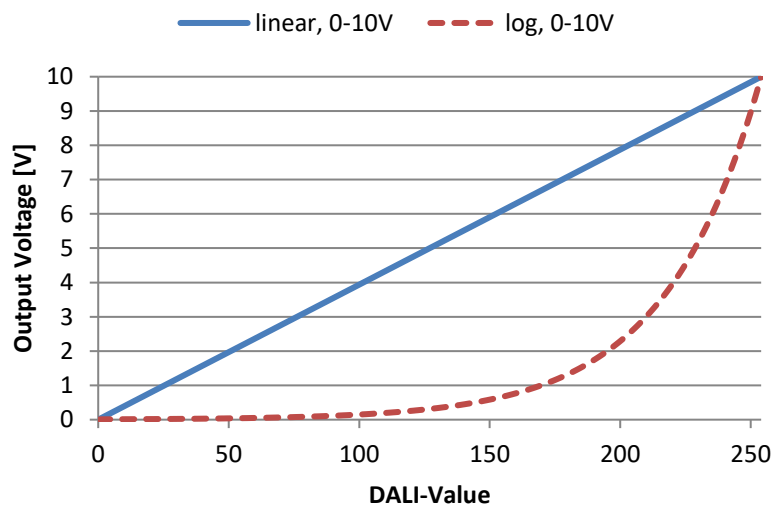


## Output Voltage Range: 1-10V:

control characteristic:

DALI 0 (=OFF) correlates with a voltage bleed 0,5V.

DALI 1-254 is transformed to a 1-10V output voltage (10%-100% PWM pattern).



## Output Voltage Range: 0-10V:

control characteristic:

DALI 0-254 is transformed into a 0-10V output voltage (0%-100% PWM pattern).



**Note: the voltage values given in the control characteristics are valid only in the case that 10VDC are applied to the output**

## Installation

- the transmitter is supplied by the DALI-line (typical current consumption is 3.8mA)
- the connection to the DALI-line is polarity-free
- the DALI-input is protected against overvoltage (up to mains voltage)
- the receiver unit can switch load currents of up to 8A and is suitable for loads up to 1000VA
- The 0-10V PWM control output is suitable for sink currents up to 1mA
- at the terminals wires with cross-section from 0,5 to 1,5mm<sup>2</sup> can be connected
- the components of the wDALI RM8 0-10V are suitable for back box mounting
- receiver range depending on structural conditions (outdoors up to 300m)

## Function

- Simple addressing and configuration with the DALI Cockpit software tool
- Switching on/off of to the DALI-line wirelessly connected ballasts
- DALI Device Type 5 support: linear and logarithmic control characteristic, selectable output voltage range 0-10V / 1-10V
- The relay contact is coupled to the light level. If light level is 0, relay is open, at any other value (1-254) the relay is closed
- At system failure the 0-10V output keeps the last level. After power cycling the receiver the 0-10V signal goes to the last active level.

## Purchase Order Information

**Art. Nr. 89453852:** wDALI RM8 0-10V PWM, DALI DT5, PWM-output 1mA, relay: 1000VA/8A/80A, 1 no, back box

## Additional Information

Datasheets and manuals

<https://jumitech/produkter>

DALI-Cockpit – free configuration tool from Lunatone for DALI systems

<http://lunatone.at/en/downloads/Lunatone-DALI-Cockpit.zip>

## Contact

Technical Support: [support@jumitech.dk](mailto:support@jumitech.dk)

Requests: [salg@jumitech.dk](mailto:salg@jumitech.dk)

[www.jumitech.dk](http://www.jumitech.dk)

# JUMITECH

# CE

## Disclaimer

Subject to change. Information provided without guarantee.  
The datasheet refers to the current delivery.

The function in installations with other devices must be tested for compatibility in advance.

## wDALI RM8

### Datasheet

wDALI Relay



Wireless expansion of a DALI-system  
for switched ballasts

Art.Nr. 86459542 (wDALI RM8)

# wDALI RM8 Interface

## Overview

- Wireless DALI-line expansions for switched ballast without DALI-input
- The ballasts can be switched on and off by DALI-commands
- 2 components: a transmitter unit connected to the DALI-line and a receiver module with relay
- The transmitter is supplied directly by the DALI-line, the receiver is supplied by mains
- The module can be addressed and assigned to groups and scenes
- Simple installation and configuration with the DALI-Cockpit software tool

## Specification, Characteristics

<b>type</b>	<b>wDALI RM8</b>
article number	86459542

<b>electrical data transmitter:</b>	
supply	via DALI-line
typ. current consumption	3.8mA
input	DALI
power on behaviour	programmable, here the Power On is the return of the DALI-line supply voltage
frequency-range	2,4 Ghz

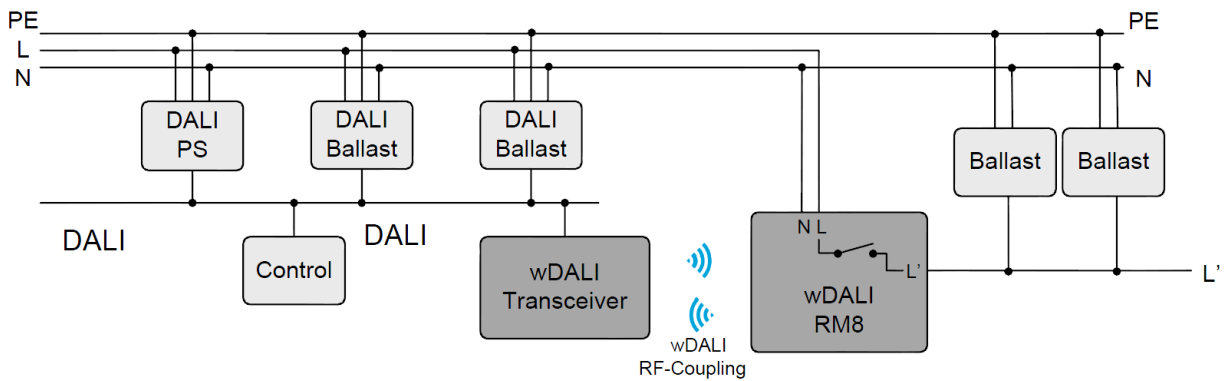
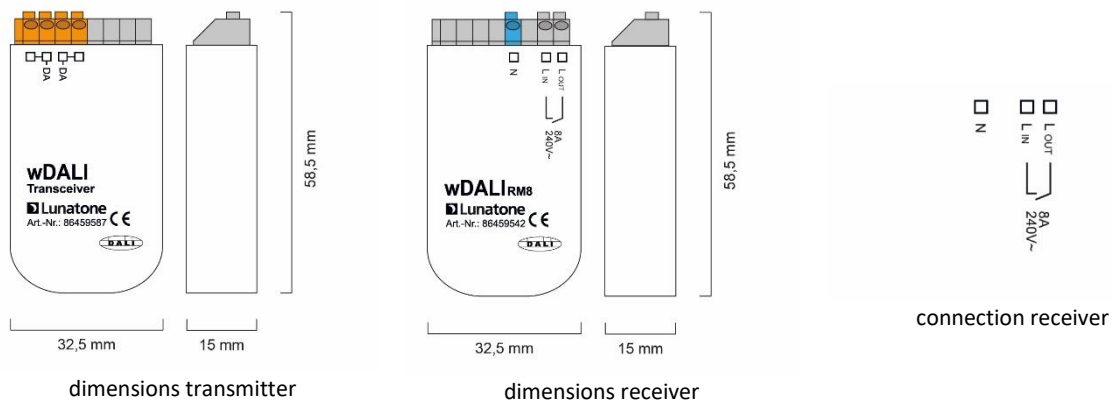
<b>technical data transmitter:</b>	
dimensions	59mmx33mmx15mm
housing	back box
connecting wire cross section	0.5 to 1.5 mm <sup>2</sup>
storage and transportation temperature	-20°C...+75°C
operational ambient temperature	-20°C...+75°C
protection class	IP20

<b>electrical data receiver:</b>	
supply	210-250VAC / 50-60Hz
nominal load	1000VA

max. switching current	8A
max. inrush current	80A
relay data	1 n/o, max. 30000 switching cycles at nominal load (resistive) max. switching frequency 1Hz
frequency range	2,4 Ghz

**technical data receiver:**

dimensions	59mmx33mmx15mm
Housing	back box
connecting wire cross section	0.5 to 1.5 mm <sup>2</sup>
storage and transportation temperature	-20°C...+75°C
operational ambient temperature	-20°C...+60°C
protection class	IP20





## Installation

- the transmitter is supplied by the DALI-line (typical current consumption is 3.8mA)
- the connection to the DALI-line is polarity-free
- the DALI-input is protected against overvoltage (up to mains voltage)
- the receiver unit can switch load currents of up to 8A and is suitable for loads up to 1000VA
- at the terminals wires with cross-section from 0,5 to 1,5mm<sup>2</sup> can be connected
- the components of the wDALI RM8 are suitable for back box mounting
- receiver range depending on structural conditions (outdoors up to 300m)

## Function

- Simple addressing and configuration with the DALI Cockpit software tool
- Switching on/off of to the DALI-line wirelessly connected ballasts

## Purchase Information

**Art. Nr. 86459542:** wDALI RM8 (transmitter included), 1000VA/8A/80A, 1 n/o, back box

## Additional Information

Datasheets and manuals

<https://jumitech/produkter>

DALI-Cockpit – free configuration tool from Lunatone for DALI systems

<http://lunatone.at/en/downloads/Lunatone-DALI-Cockpit.zip>

## Contact

Technical Support: [support@jumitech.dk](mailto:support@jumitech.dk)

Requests: [salg@jumitech.dk](mailto:salg@jumitech.dk)

[www.jumitech.dk](http://www.jumitech.dk)

# JUMITECH

# CE

## Disclaimer

Subject to change. Information provided without guarantee.  
The datasheet refers to the current delivery.

The function in installations with other devices must be tested for compatibility in advance.