

DALI PS128 Bus Power Supply

Overview

- DALI bus power supply unit
- guaranteed Supply Current 128mA
- maximum Supply Current 250mA
- suitable to power an entire DALI-line with 64 standard DALI ballasts
- independent electronic device for remote ceiling and integration in protection class II devices
- power supply range 110Vac ... 240Vac for worldwide use
- surge immunity up to 400V



Specification, Characteristics

type	DALI PS128
article number	24033444-128
input: L, N	
input type	mains power supply
marking input terminals	L, N
input voltage range	110Vac ... 240Vac
max. input supply current	40mA (@110Vac), 20mA (@240Vac)
input supply frequency	50Hz / 60Hz
power consumption max.	4W
startup time	250ms
output: DA+, DA-	
output type	DALI Supply
marking output terminals	DA+, DA-
output voltage range	12Vdc ... 20,5Vdc
DALI supply current	150mA
guaranteed DALI supply current	128mA
max. DALI supply current	250mA
open circuit proof	yes
short circuit proof	yes
insulation data:	
impulse voltage category	II
pollution degree	2
rated insulation voltage	250V
rated impulse withstanding voltage	4kV
insulation DALI / mains	reinforced isolation
Insulation test voltage DALI / mains	3000V a.c.

enviromental conditions:

storing and transportation temperature	-20°C ... +75°C
operational ambient temperature	-20°C ... +55°C
rel. humidity, none condensing	15% ... 90%

general data:

dimensions (l x w x h)	120mm x 30mm x 22mm
mounting	remote ceiling integration in protection class II device
rated maximum temperature tc	65°C
expected life time @tc	50.000 h
protection class	II in intended use
protection degree housing	IP40
protection degree terminals	IP20

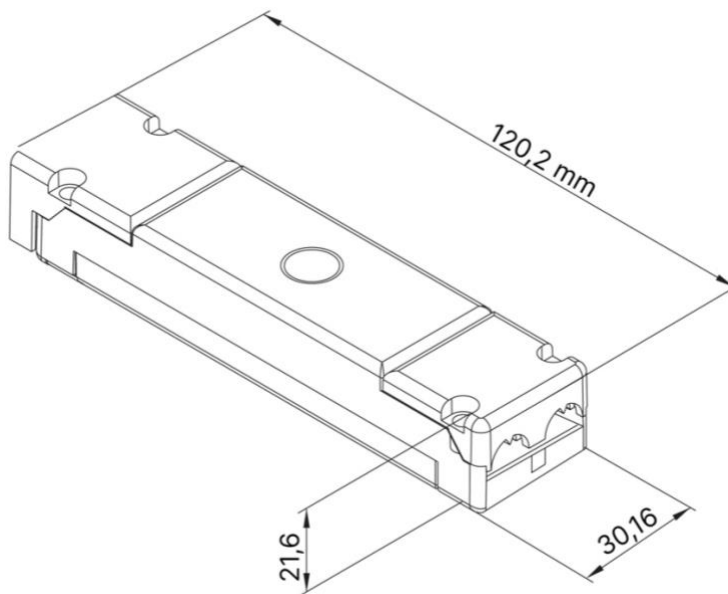
terminals:

connection type	spring terminal connector
wire size solid core	0,5 ... 1,5 mm ² (AWG20 ... AWG16)
wire size fine wired	0,5 ... 1,5 mm ² (AWG20 ... AWG16)
wire size using wire end ferrule	0,25 ... 1 mm ²
stripping length	8,5 ... 9,5 mm / 0,33 ... 0,37 inch
release of wire	push button

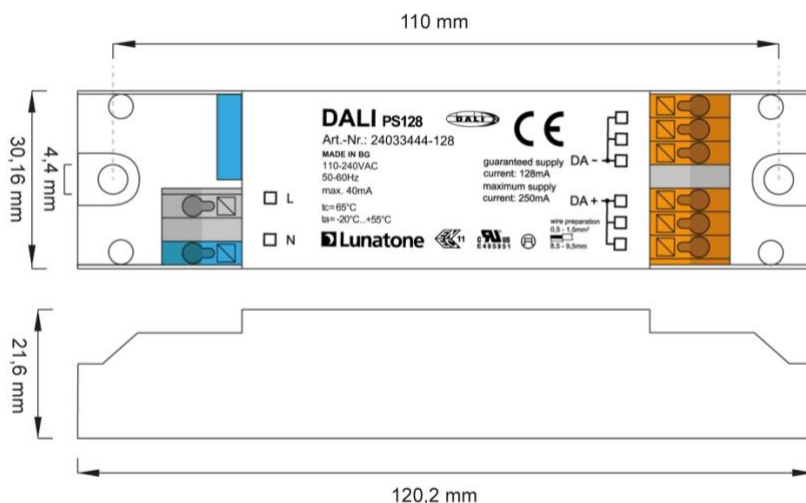
standards:

DALI	EN 62386-101:2014
EMC	EN 61547 EN50015 / IEC CISPR15
safety	EN 61347-2-11 EN 61347-1
markings	DALI-2, CE, ENEC-11, cURus
UL file number	E495951

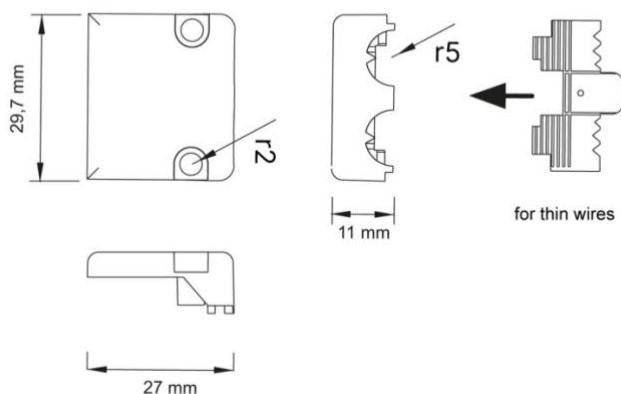
Housing dimensions



Housing dimensions



Dimension lid



connections

- L
- N



Installation

- The DALI PS128 is intended for remote installation in the ceiling or in an enclosure
- Ensure proper working cable relief for installation in protection class II equipment
- Wiring as fixed installation in a dry and clean environment
- Installation only by qualified person when no voltage is applied
- Attend regulations regarding electrical installations of national authorities
- connect power supply terminals L and N to mains voltage
- the polarity of the output voltage is marked on the housing (DA+, DA-)
- The DALI-line may be installed within the same cable or as single conductors within the same tube as mains supply

- The DALI-line must not be connected to the mains or other extra low voltage systems
- DALI-line wiring with standard low voltage installation material
- Wiring topology of the DALI-line: Line, Tree, Star



HINT: The DALI-signal is not classified as SELV circuit. Therefore the standards for installation in low voltage system apply.

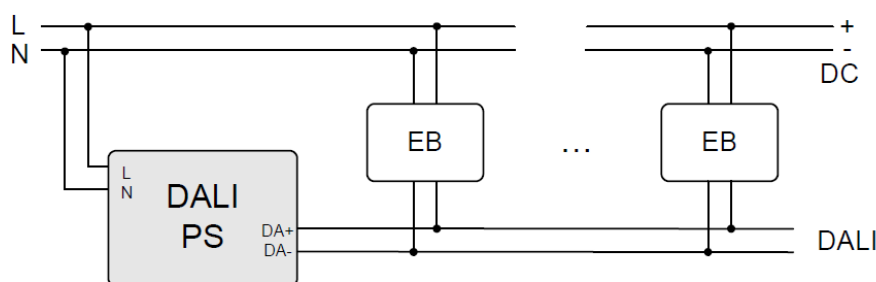


The voltage drop on the DALI-line shall not exceed 2V.

- Don't use standard DC power supplies on the DALI-line, since they do not meet the requirements for DALI communication



HINT: an improper DALI power supply can cause damage on DALI devices!



wiring diagram

Commissioning

- The DALI power supply is ready for use
- Make sure that the guaranteed supply current exceeds the current consumption of all bus devices

Purchase Order Information

Art.Nr. 24033444-128: DALI PS128,
guaranteed DALI supply current 128mA,
remote ceiling

Additional Information and Equipment

DALI-Cockpit – free configuration tool from Lunatone for DALI systems

<https://www.lunatone.com/en/product/dali-cockpit/>

Lunatone DALI products

<https://www.lunatone.com/en/>

Lunatone datasheets and manuals

<https://www.lunatone.com/en/downloads-a-z/>

Contact

Technical Support: support@lunatone.com

Requests: sales@lunatone.com



Disclaimer

Subject to change. Information provided without guarantee.
The datasheet refers to the current delivery.

The function in installations with other devices must be tested
for compatibility in advance.