

## DALI PS2

### Datasheet

#### DALI Bus Power Supply Unit



DALI-line power supply

Art. Nr. 24033444-2

# DALI PS2 Bus Power Supply

## Overview

- DALI bus power supply unit
- guaranteed Supply Current 200mA
- maximum Supply Current 250mA
- suitable to power an entire DALI-line with 64 standard DALI ballasts
- independent electronic device for remote ceiling and integration in protection class II devices
- power supply range 110Vac ... 240Vac for worldwide use
- surge immunity up to 400V



## Specification, Characteristics

<b>type</b>	<b>DALI PS2</b>
article number	24033444-2
<b>input: L, N</b>	
input type	mains power supply
marking input terminals	L, N
input voltage range	110Vac ... 240Vac
max. input supply current	40mA (@110Vac), 20mA (@240Vac)
input supply frequency	50Hz / 60Hz
power consumption max.	5,3W
startup time	250ms
<b>output: DA+, DA-</b>	
output type	DALI Supply
marking output terminals	DA+, DA-
output voltage range	12Vdc ... 20,5Vdc
DALI supply current	230mA
guaranteed DALI supply current	200mA
max. DALI supply current	250mA
open circuit proof	yes
short circuit proof	yes
<b>insulation data:</b>	
impulse voltage category	II
pollution degree	2
rated insulation voltage	250V
rated impulse withstanding voltage	4kV
insulation DALI / mains	reinforced isolation
Insulation test voltage DALI / mains	3000V a.c.

**enviromental conditions:**

storing and transportation temperature	-20°C ... +75°C
operational ambient temperature	-20°C ... +55°C
rel. humidity, none condensing	15% ... 90%

**general data:**

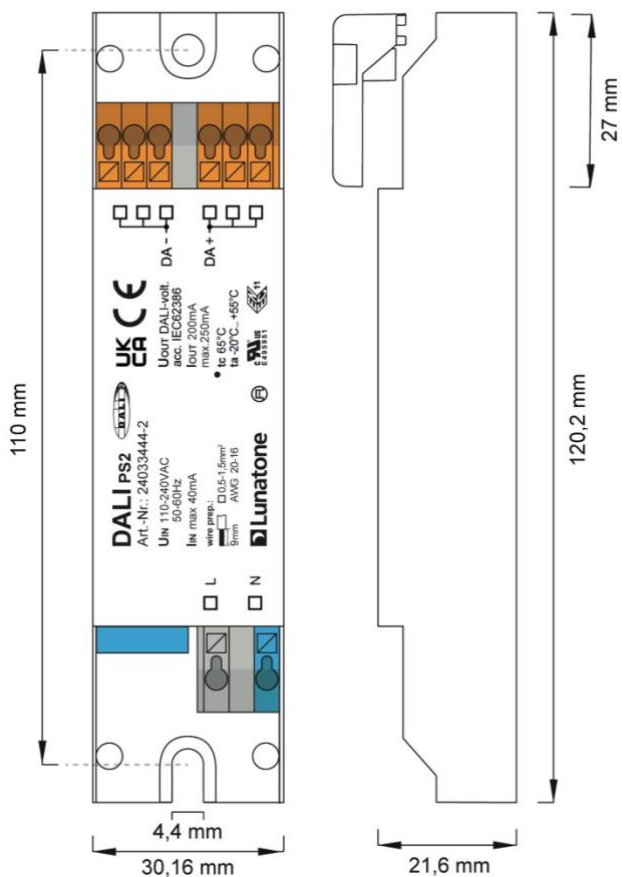
dimensions (l x w x h)	120mm x 30mm x 22mm
mounting	remote ceiling integration in protection class II device
rated maximum temperature tc	65°C
expected life time @tc	50.000 h
protection class	II in intended use
protection degree housing	IP40
protection degree terminals	IP20

**terminals:**

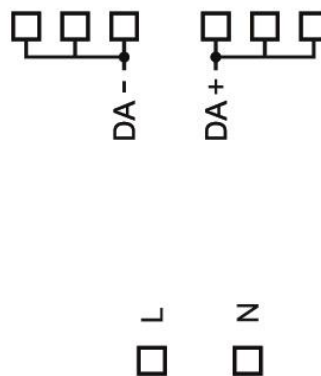
connection type	spring terminal connector
wire size solid core	0,5 ... 1,5 mm <sup>2</sup> (AWG20 ... AWG16)
wire size fine wired	0,5 ... 1,5 mm <sup>2</sup> (AWG20 ... AWG16)
wire size using wire end ferrule	0,25 ... 1 mm <sup>2</sup>
stripping length	8,5 ... 9,5 mm / 0,33 ... 0,37 inch
release of wire	push button

**standards:**

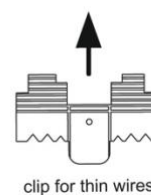
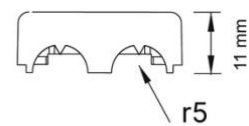
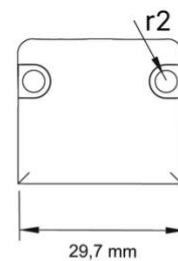
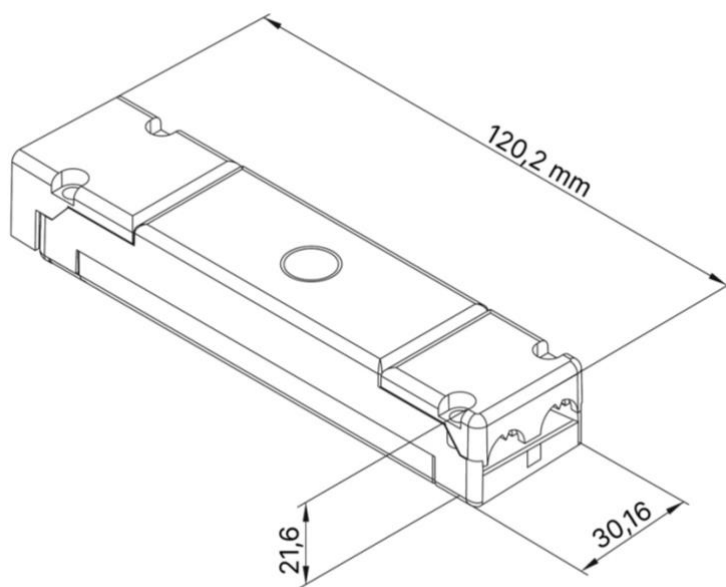
DALI	EN 62386-101
EMC	EN 61547 EN50015 / IEC CISPR15
safety	EN 61347-2-11 EN 61347-1
markings	ENEC-11, UR, CE
UL file number	E495951



dimensions



connection plan



clip for thin wires

## Installation

- The DALI PS2 is intended for remote installation in the ceiling or in an enclosure
- Ensure proper working cable relief for installation in protection class II equipment
- Wiring as fixed installation in a dry and clean environment
- Installation only by qualified person when no voltage is applied
- Attend regulations regarding electrical installations of national authorities
- connect power supply terminals L and N to mains voltage
- the polarity of the output voltage is marked on the housing (DA+, DA-)
- The DALI-line may be installed within the same cable or as single conductors within the same tube as mains supply

- The DALI-line must not be connected to the mains or other extra low voltage systems
- DALI-line wiring with standard low voltage installation material
- Wiring topology of the DALI-line: Line, Tree, Star



**HINT:** The DALI-signal is not classified as SELV circuit. Therefore the standards for installation in low voltage system apply.

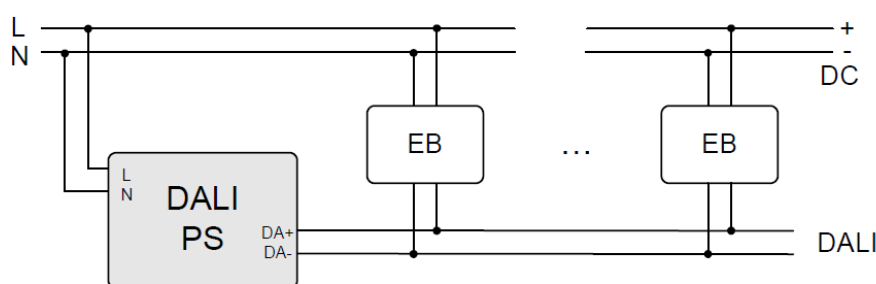


The voltage drop on the DALI-line shall not exceed 2V.

- Don't use standard DC power supplies on the DALI-line, since they do not meet the requirements for DALI communication



**HINT:** an improper DALI power supply can cause damage on DALI devices!



wiring diagram

## Commissioning

- The DALI power supply is ready for use
- Make sure that the guaranteed supply current exceeds the current consumption of all bus devices

## Purchase Order Information

**Art.Nr. 24033444-2:** DALI PS2, guaranteed DALI supply current 200mA, remote ceiling

## Additional Information and Equipment

DALI-Cockpit – free configuration tool from Lunatone for DALI systems

<https://www.lunatone.com/en/product/dali-cockpit/>

Lunatone DALI products

<http://www.lunatone.com/en>

Lunatone datasheets and manuals

<http://www.lunatone.com/en/downloads-a-z/>

## Contact

Technical Support: [support@lunatone.com](mailto:support@lunatone.com)

Requests: [sales@lunatone.com](mailto:sales@lunatone.com)



## Disclaimer

Subject to change. Information provided without guarantee.  
The datasheet refers to the current delivery.

The function in installations with other devices must be tested for compatibility in advance.