

DALI SI

Datasheet Sensor Interface

DALI module for
the integration of sensors
with relay output
in DALI systems



Art. Nr. 89453850
Art. Nr. 89453850-1L

DALI SI Sensor Interface

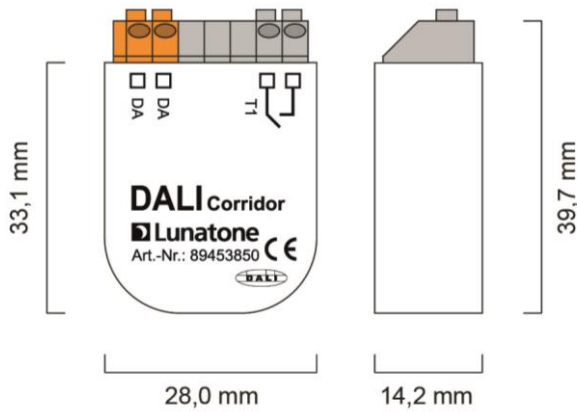
Overview

- Module with switching input
- Easy integration of occupancy and movement sensors, contact switches, photoelectric barrier sensors etc.
- same behaviour as DALI CS
- types with input for potential free contact and input for mains voltage available
- multiple trigger sources due to simple external interconnection
- configurable schedule (light levels and hold times)
- configuration with DALI-Cockpit software
- multiple DALI SI and DALI CS modules can be installed on the same DALI-line and be used to control the same target range
- device is supplied directly by the DALI-line
- the compact device is suitable for back box installation

Specification, Characteristics

type	DALI SI		DALI SI 1L	
article number	89453850		89453850-1L	
electrical data:				
supply	via DALI-line			
typ. current consumption	2.9mA			
output	DALI			
control input	1 switching input for potential free contact		1 switching input for mains	
galvanic isolation switching input/DALI	No		Yes	
technical data:				
behaviour on input action	schedule, level and hold times configurable			
storing and transportation temperature	-20°C...+75°C			
operational ambient temperature	-20°C...+75°C			
connecting wire cross section	< 1.5 mm ²			
max. length of connecting wire	50 cm		up to 50m	
protection class	IP20			
dimensions	40mm x 28mm x 14mm		59mm x 33mm x 15mm	
mounting	back box			

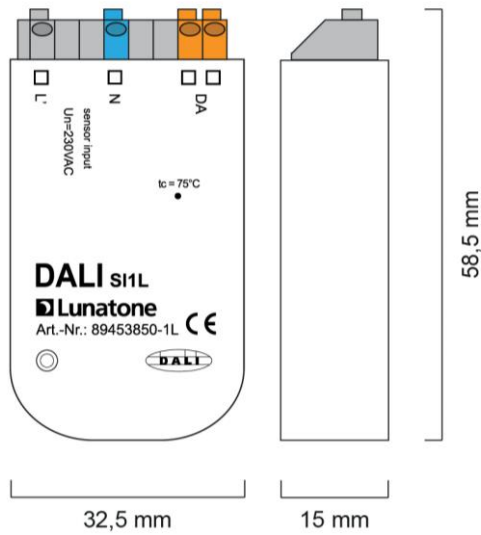
Dimensions & Connection



dimensions DALI SI



connection plan DALI SI

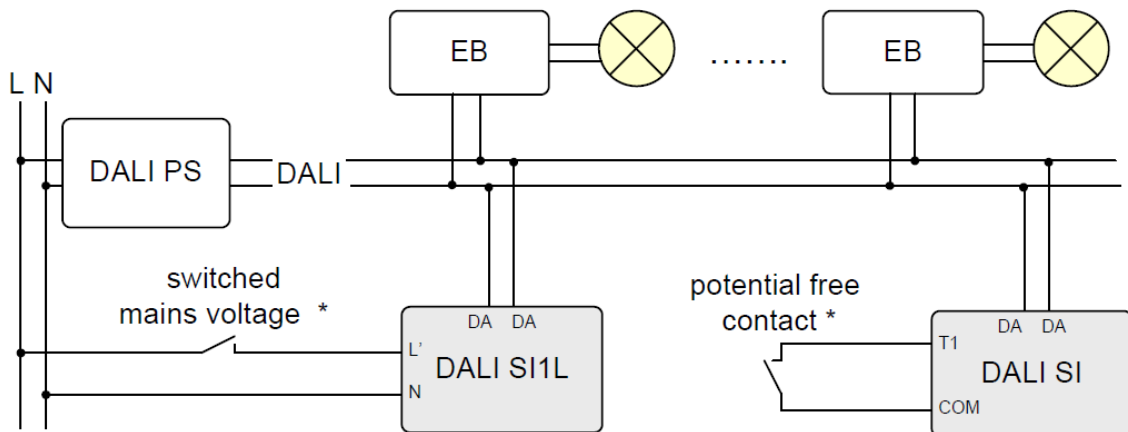


dimensions DALI SI 1L



connection plan DALI SI 1L

Typical Application



* typical devices with switching contact: light barrier, motion sensor, relay, switch

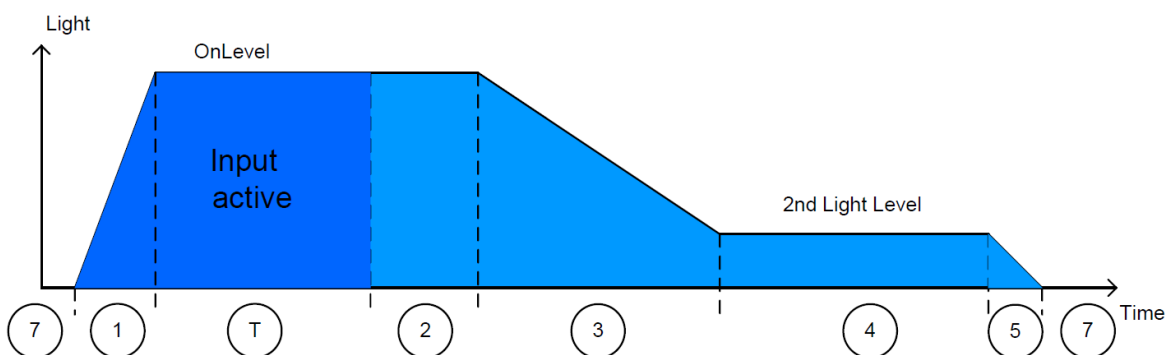
Installation

- the DALI SI is supplied directly by the DALI-line (typ. current consumption: 2.9mA)
- the connection to the DALI-line is polarity-free
- the connection to the DALI-line is protected against overvoltage
- suitable for back box installation
- type dependent: input for potential free contact (DALI SI) or switching input for mains voltage (DALI SI1L)

Functionality

- configuration with [DALI Cockpit Software](#) and suitable interface module (e.g. [DALI USB](#))
- configurable schedule (light level, hold time, fading)
- The schedule is (re-)triggered by actions on the sensor input
- the target range can be controlled by multiple DALI SI and DALI CS modules (devices are synchronized automatically)

schedule settings:



- 1: On Fade Time
- 2: Run on Delay (OnLevel)
- 3: 2nd Level Fade Time
- 4: Switch Off Delay (2nd Lightlevel)
- 5: Fade Out Time
- 6: Dead Time Delay (WalkOutTime after Manual Off)
- 7: Off-State
- T: Input active (OnLevel)



Hint: Identical commands will be sent to all destination addresses.

Purchase Order Information

Art.Nr. 89453850: DALI SI, sensor interface with potential free switching input, back box

Art.Nr. 89453850-1L: DALI SI 1L, sensor interface with switching input for mains voltage, galvanic isolation, back box

Additional Information and Equipment

DALI-Cockpit – free configuration tool from Lunatone for DALI systems
<https://www.lunatone.com/en/product/dali-cockpit/>

Lunatone DALI products
<https://www.lunatone.com/en>

Lunatone datasheets and manuals
<https://www.lunatone.com/en/downloads-a-z/>

Contact

Technical Support: support@lunatone.com

Requests: sales@lunatone.com

www.lunatone.com

Disclaimer

Subject to change. Information provided without guarantee.
The datasheet refers to the current delivery.

The compatibility with other devices must be tested in advance to the installation.